

INSTALLATION GUIDE

DriStud Cool Window Flashing Tape

For Flexible Wall Underlays

DriStud Cool Window Flashing Tape is a flexible flashing tape intended to be installed in conjunction with TCL Hunt, DriStud Wall Wrap or a general underlay that complies with E2/AS1 Table 23. DriStud Cool Window Flashing Tape is made with a high tack pressure sensitive adhesive to offer maximum adhesion to irregular surfaces across a wide range of temperatures. It forms a part of the secondary weather resistant layer and can be installed on all timber framing in accordance with NZS3604: 2011 and is also suitable for steel framing used in conjunction with a 10mm thermal break in accordance with the Nash Design Standard.

KEY FEATURES

- No primer required to achieve maximum adhesion at temperatures as low as -6 °C.
- Suitable for wind zones up to and including extra high (NZS3604: 2011)
- Service temperature is from -28 °C to 80°C

AVAILABLE SIZES

75mm x 25m (16/carton)
150mm x 25m (8/carton)
200mm x 25m (4/carton)

WHO CAN INSTALL

Where DriStud Cool Window Flashing Tape is used for new construction or in conjunction with a building consent the work should be undertaken or supervised by a Licensed Building Practitioner (LBP). Alternatively, the installer shall be suitably skilled when installing the tape as a part of an external water management system.

SAFETY

The installer of DriStud Cool Window Flashing Tape required to comply fully with- Health and Safety in Employment Act 2002. Appropriate clothing, safety footwear and hand and face protection must be used in all cases. Safety scaffold and barriers must comply with the requirements of the H & S in Employment Act 2002 and NZBC, F5 (Construction and demolition hazards)

WARRANTY

TCL Hunt Ltd warrants that DriStud Cool Window Flashing Tape will be free from manufacturing defects. Upon receipt of DriStud Cool Window Flashing Tape, it is recommended that a visual check is made. Where defects are observed, these will be replaced at the discretion of TCL Hunt, provided they are returned to point of purchase. If installed in accordance with TCL Hunt installation requirements, TCL Hunt warrants that DriStud Cool Window Flashing Tape will comply with relevant provisions of the NZ Building Code. TCL Hunt is confident that DriStud Cool Tape will have a serviceability life of 50 years provided that:

- the balance of the external wall is installed in accordance with the NZ Building Code, and,
- all necessary maintenance is undertaken in respect of the external wall system.

Please refer to DriSpace website www.drinspace.co.nz for more information on warranty and disclaimer.

INSTALLATION- penetrations

Where DriStud Cool Window Flashing Tape is used for sealing wall penetrations through the external wall the tape must be installed in accordance with E2/AS1.

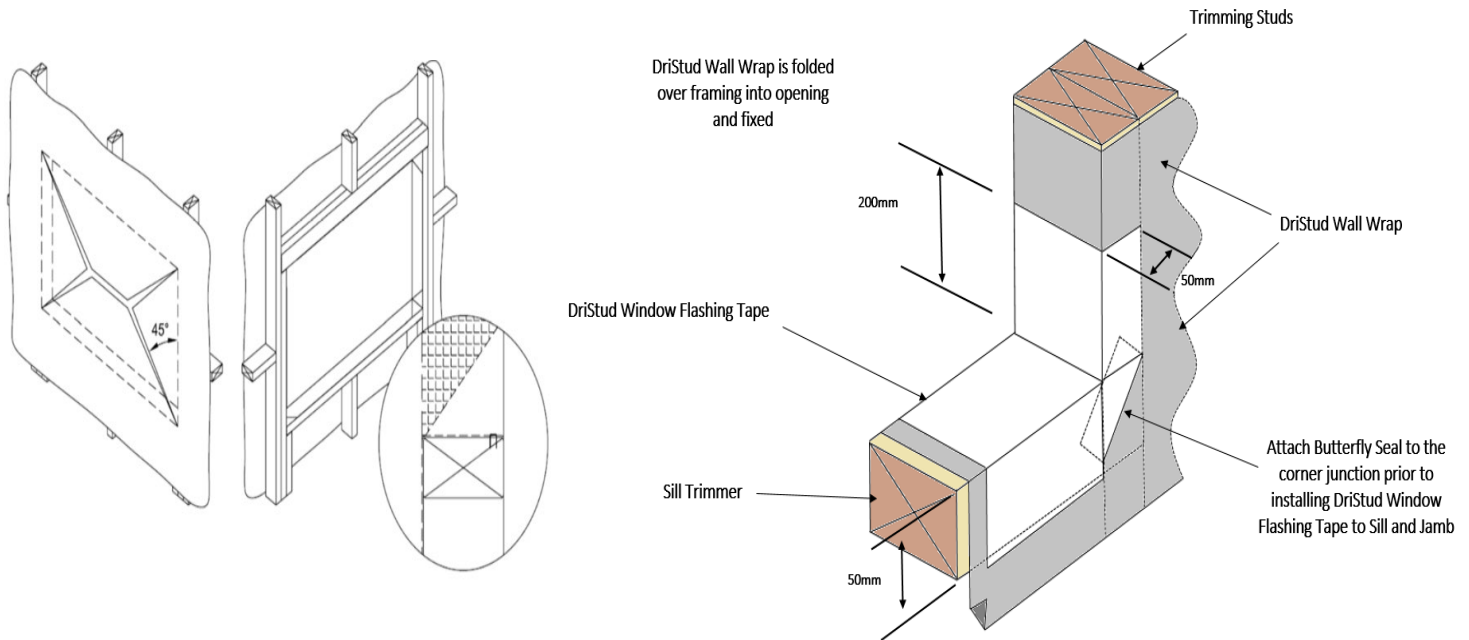
INSTALLATION

1. Install Wall Underlay/Air Barrier in accordance with manufacturer's specifications. If using DriStud Wall Wrap once installed to the wall frame at each window/door space, ensure it is cut at a 45° angle from each corner of the void. Each Flap must be folded into the window/door opening and fixed tightly and securely with staples.

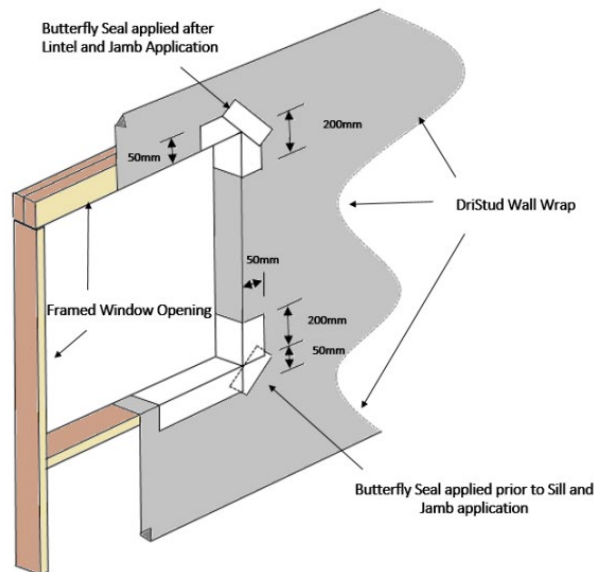
INSTALLATION GUIDE

INSTALLATION (cont.)

- On the lower two corners of the window/door apply a strip of 150mm by 75mm Cool Tape (known as a butterfly seal) at a 45° angle, sealing the corner junction.



- Cool Tape is to be cut to length of the sill whilst allowing an additional 200mm for the jamb. Application must be to the interior face of the opening, along the length of the sill and up the jamb. When applying, gradually release the backing film whilst securing and ensuring the tape is correctly aligned to the inside edge and forms a tight and secure seal into the corners (An off cut of framing timber may assist with this). Cut the overhanging tape at each corner, fold and secure to the Wall Wrap and over the butterfly seals already applied.



INSTALLATION GUIDE

4. On the two upper corners cut the Cool Tape to required length allowing 200mm for the jamb. Apply to the interior face of the opening, along the length of the lintel and down the jamb. Cut the overhanging tape at each corner, fold and secure to the Wall Wrap then apply a 150mm by 75mm butterfly seal over top at a 45° angle.
 - DriStud Cool Window Flashing Tape can be exposed to the environment for up to 60 days if installed correctly and sufficient adhesion has been achieved.
 - The above method is the preferred application for butterfly seals. Product Warranty is still valid if sill butterfly seals are applied over the tape at each corner (instead of under).

For further information please visit
www.drinspace.co.nz or call **0800 DRISTUD**
(374 7883).